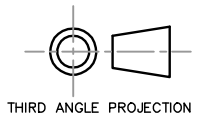
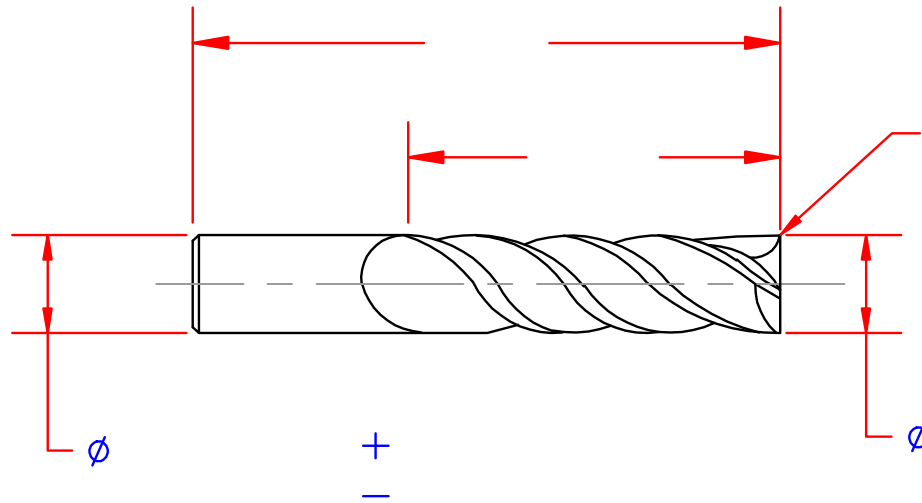



OF FLUTES _____
 HELIX ANGLE _____
 HAND OF CUT _____
 COATING _____
 BACKTAPER _____
 COOLANT THRU _____



STANDARD TOLERANCE UNLESS OTHERWISE SPECIFIED		 COUGAR CUTTING TOOLS, INC. MAKERS OF SOLID CARBIDE CUTTING TOOLS 23520 REYNOLDS COURT CLINTON TOWNSHIP, MI 48036 (586)469-1310 FAX (586)469-1314 www.cougarct.com	CUSTOMER	
0.00	±0.06		TOOL#	
0.000	±0.005		DATE	SHEET A
0.0000	±0.0005		DET. BY	
ANGLES	±2°	* DO NOT SCALE * * DRAWING *		CUT MATERIAL
*** COMPUTER GENERATED *** DRAWING DO NOT CHANGE MANUALLY				