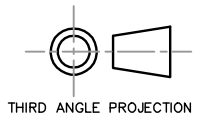
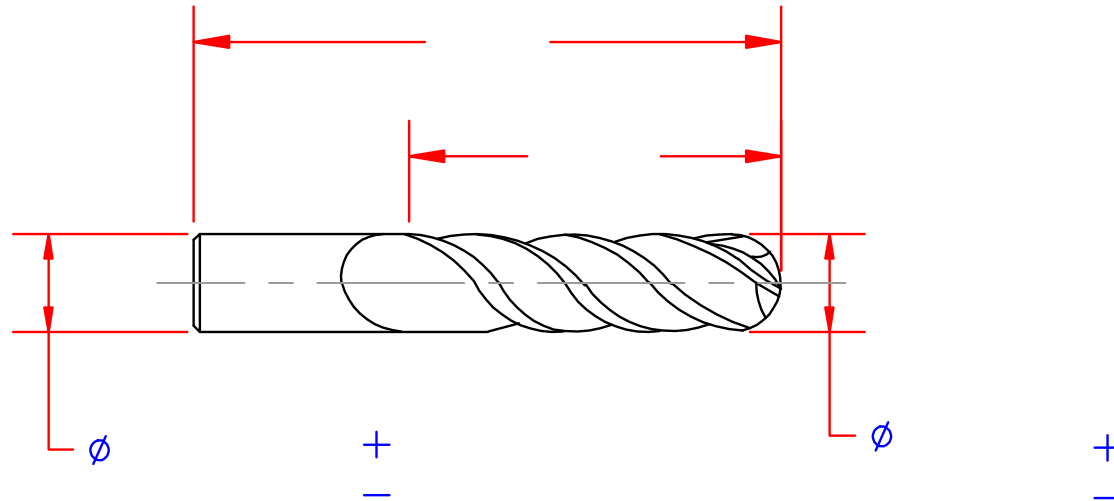



# OF FLUTES \_\_\_\_\_  
 HELIX ANGLE \_\_\_\_\_  
 HAND OF CUT \_\_\_\_\_  
 COATING \_\_\_\_\_  
 BACKTAPER \_\_\_\_\_  
 COOLANT THRU \_\_\_\_\_



STANDARD TOLERANCES UNLESS OTHERWISE SPECIFIED		 <b>COUGAR CUTTING TOOLS, INC.</b> MAKERS OF SOLID CARBIDE CUTTING TOOLS 23520 REYNOLDS COURT CLINTON TOWNSHIP, MI 48036 (586)469-1310 FAX (586)469-1314 <a href="http://www.cougarct.com">www.cougarct.com</a>	CUSTOMER	
0.00	±0.06		TOOL#	
0.000	±0.005		DATE	SHEET A
0.0000	±0.0005		DET. BY	
ANGLES	±2°	* DO NOT SCALE * * DRAWING *		CUT MATERIAL
*** COMPUTER GENERATED *** DRAWING DO NOT CHANGE MANUALLY				