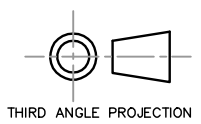
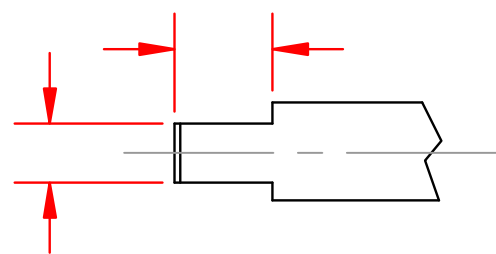
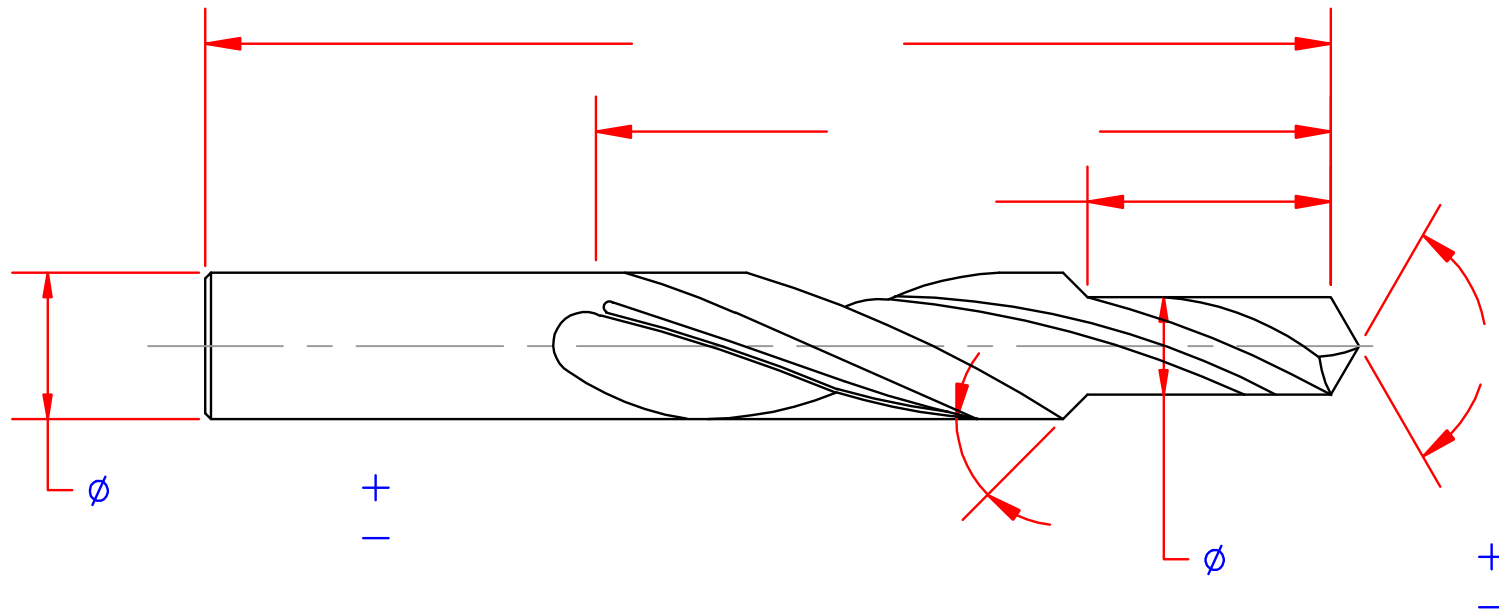



OF FLUTES _____
 HELIX ANGLE _____
 HAND OF CUT _____
 COATING _____
 BACKTAPER _____



TANG YES NO
 COOLANT THRU YES NO

STANDARD TOLERANCES UNLESS OTHERWISE SPECIFIED.		 COUGAR CUTTING TOOLS, INC. MAKERS OF SOLID CARBIDE CUTTING TOOLS 23520 REYNOLDS COURT CLINTON TOWNSHIP, MI 48036 (586)469-1310 FAX (586)469-1314 www.cougarct.com	CUSTOMER _____	
			TOOL# _____	
0.00	±0.06	DATE _____		SHEET A
0.000	±0.005	DET. BY _____		CUT MATERIAL _____
0.0000	±0.0005	*** COMPUTER GENERATED *** DRAWING DO NOT CHANGE MANUALLY		* DO NOT SCALE * * DRAWING *
ANGLES	±2°			