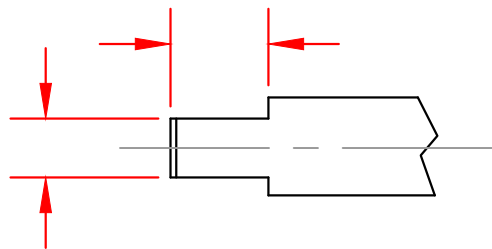
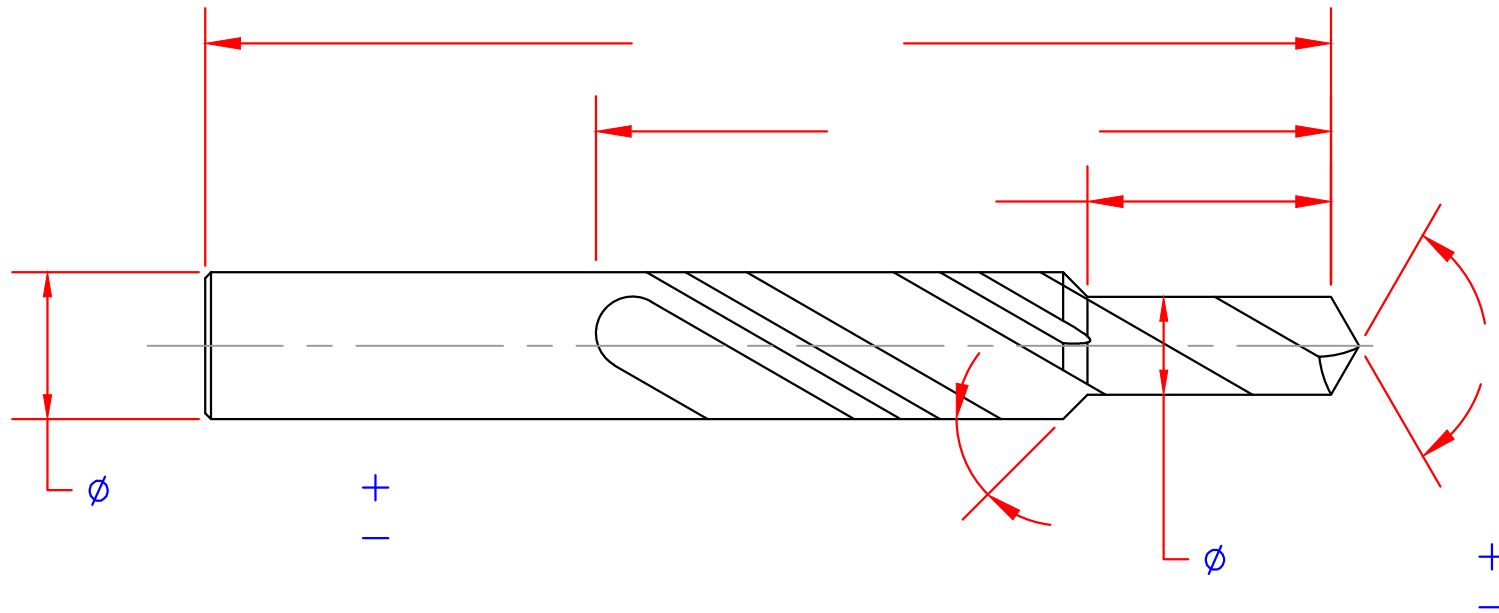
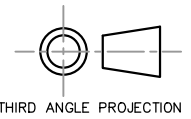



# OF FLUTES \_\_\_\_\_  
 HELIX ANGLE \_\_\_\_\_  
 HAND OF CUT \_\_\_\_\_  
 COATING \_\_\_\_\_  
 BACKTAPER \_\_\_\_\_



TANG YES NO  
 COOLANT THRU YES NO

### S.C. DREAMER



STANDARD TOLERANCES UNLESS OTHERWISE SPECIFIED.			<b>COUGAR</b> CUTTING TOOLS, INC. <small>MAKERS OF SOLID CARBIDE          CUTTING TOOLS          23520 REYNOLDS COURT          CLINTON TOWNSHIP, MI 48036          (586)469-1310 FAX (586)469-1314          www.cougarct.com</small>		CUSTOMER		
			<small>*** COMPUTER GENERATED ***          DRAWING          DO NOT CHANGE MANUALLY</small>		<small>* DO NOT SCALE *          * DRAWING *</small>		TOOL#
0.00	±0.06			DATE		SHEET A	
0.000	±0.005			DET. BY		CUT MATERIAL	
0.0000	±0.0005						
ANGLES	±2°						