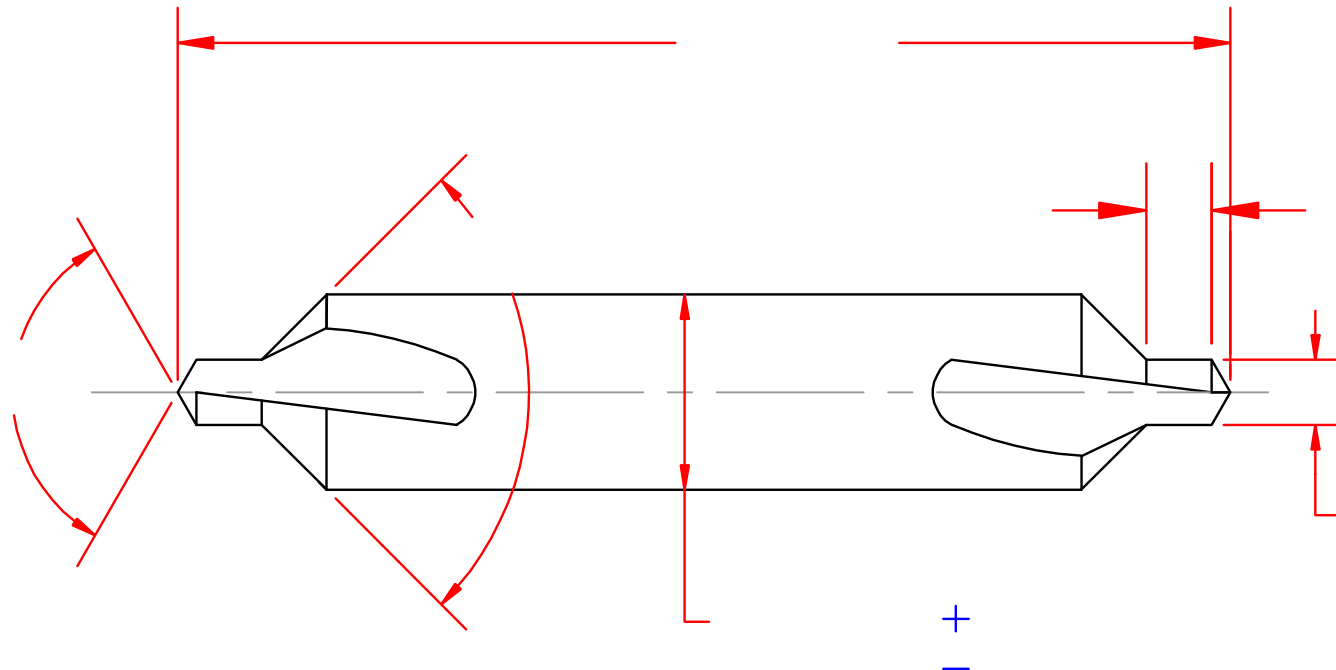
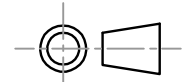


OF FLUTES _____
 HELIX ANGLE _____
 HAND OF CUT _____
 COATING _____
 COOLANT THRU _____




+
-

+
-



THIRD ANGLE PROJECTION

STANDARD TOLERANCES UNLESS OTHERWISE SPECIFIED.	
0.00	±0.06
0.000	±0.005
0.0000	±0.0005
ANGLES	±2°



**COUGAR
CUTTING TOOLS, INC.**

MAKERS OF SOLID CARBIDE
CUTTING TOOLS

23520 REYNOLDS COURT
CLINTON TOWNSHIP, MI 48036
(586)469-1310 FAX (586)469-1314
www.cougarct.com

*** COMPUTER GENERATED ***
DRAWING
DO NOT CHANGE MANUALLY

* DO NOT SCALE *
* DRAWING *

CUSTOMER	
TOOL#	
DATE	SHEET A
DET. BY	CUT MATERIAL